

NMC-WOLLARD
GSA Contract GS07F-5658A

MODEL MB4 Tow Tractor **16,000 lbs. Drawbar Pull**



- **DBP 16,000 lbs. minimum**
- **4-wheel drive for max traction**
- **4-wheel steer for maneuverability**
- **Coordinated and crab steer (see photos)**
- **Heavy duty drive train**

4WD + steering axles front and rear for traction and maneuverability

Maximum traction

4-wheel drive means each wheel produces tractive effort — delivers more drawbar pull capacity than conventional single drive axle units. Ideal for ramp work in wet or cold weather conditions.

Maneuverable

Coordinated steering (large photo) enables tight turns, easy maneuvering on busy airport ramps. Crab steering (small photo) allows operators to maneuver next to aircraft and other equipment with a simple linear

approach. MB4 is the most maneuverable tow tractor in the NMC-WOLLARD fleet.

Powerful, durable

Industrial type driveline includes a turbocharged Cummins diesel and a Funk 6-speed transmission — places engine operating range at usable ramp speeds. Drive axles have 45% limited slip differential for power transfer under slippery conditions.

MB4 has it all — power, maneuverability and durability in an affordable package.



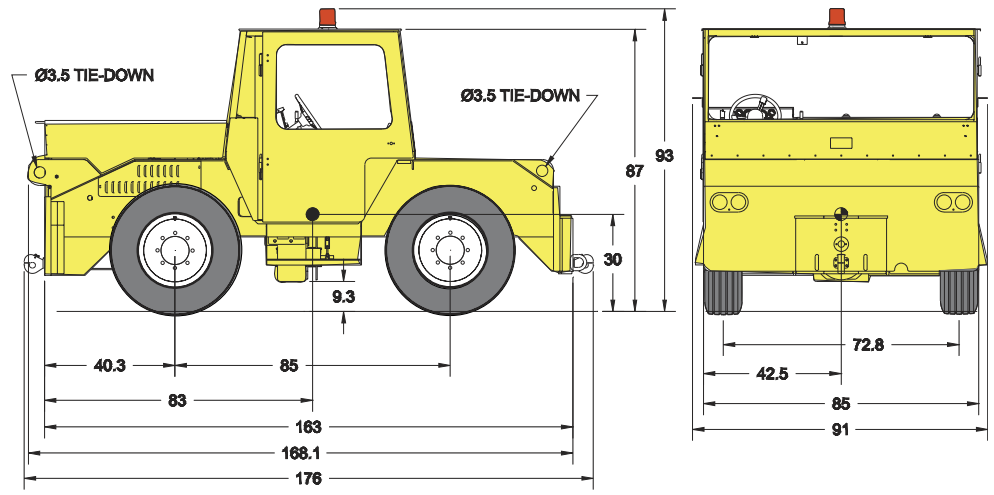
Photos may show optional equipment.

NMC-WOLLARD Model MB4 Tow Tractor



Capacities & Weights

Model No.	200MB4V2
Drawbar pull in lbs:	16,000
Drawbar pull in kg:	1,360



General Specifications

Vehicle type

- 4-wheel drive
- 4-wheel steer
- Gross weight: 19,200 lbs.
- Draw Bar Pull: 16,000 lbs. minimum
- Turn Radius 4-wheel: 150" wall to wall
- Speed, Front: 25 mph +/- 1.5
- Speed, Rear: 14 mph +/- 1.5
- Fuel Tank Capacity: 20.7 gal. (78.3L)
- Cooling System: Antifreeze & corrosion protection

Transmission

- Model 2000 Funk Power Shift with Torque Converter
- 6 speeds forward, 3 speeds reverse

Engine:

- Cummins QSB5.9 Turbo Charged, 6-cylinder diesel
- Displacement: 359 cu. in., (5.9L)
- Horsepower: 205 BHP (153 kW)
- Torque at 1,500 rpm: 625 lb.-ft. (847 N-m)

Axle:

- Dana, type 2112
- Differential, limited slip 45%
- Hydraulic operated, oil immersed service brake
- Integrated steering system with steering sensor
- 8-bolt hub, studs M12

Specifications: based on standard drivetrain.
Subject to change without notice

Dealer/Distributor

NMC-WOLLARD

2021 Truax Blvd, Eau Claire, WI 54703
 Phone: 800-656-6867
 Phone: 715-835-3151
 Fax: 715-835-6625
 Email: bsteingart@nmc-wollard.com
 clangaard@nmc-wollard.com
 Website: www.nmc-wollard.com

4/05 -1M