

NMC-WOLLARD **TWS-402** Potable Water Service Truck

- 304 stainless steel tank.
- Access doors on side of truck.

450 gallon (426 L) capacity stainless steel tank/22 ft. (6.7m) hose

- Hi-lift platform (optional) reaches up to 137 in. (348 cm)
- All plumbing (valves, drains, etc.) enclosed — safe from exposure.
- Operate at night with illumination lights.
- Plumbing components corrosion-resistant.

Durable

NMC-WOLLARD Drinking Water Truck features 304 type stainless steel tank. Water pump is all bronze. Rear bumper step (standard) or rear bumper lift (optional).

Plumbing

Plumbing components are stainless steel, bronze or other corrosion-resistant, non-toxic types. Hose material is food handling type.

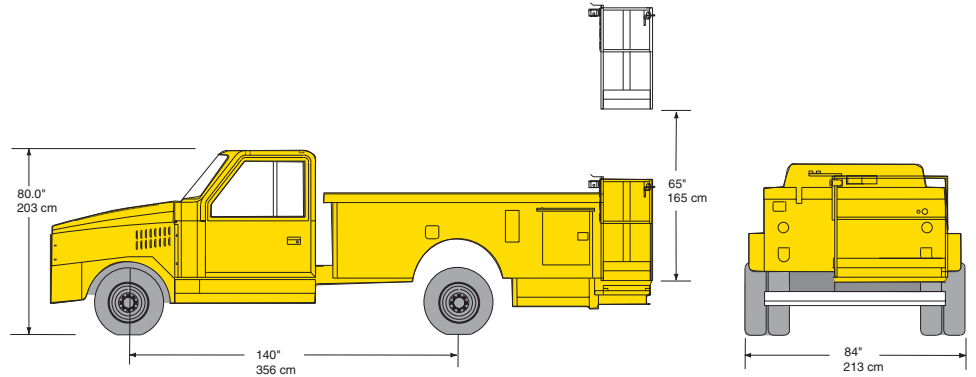
All plumbing within a protected compartment enclosure. A spring-return hose reel accepts 22 feet (6.7 m) of dispensing hose.



NMC-WOLLARD

TWS-402 Drinking Water Truck

Specifications subject to change without notice. Photos and illustrations may show optional equipment.



Aircraft Servicing Capability

All commercial jet aircraft.

Vehicle

Ford F-350 chassis, dual rear wheels, 11,000 lbs.
(4,990 kg) GVW, automatic transmission, power steering.

Stainless Steel Tank

Capacity.....450 gallons (1,706 liters)

Shipping Dimensions

Length.....241 in. (6.12 m)
Width.....90.7 in. (2.30 m)
Height.....76.5 in. (1.94 m)
Weight.....7,840 lbs. (3,556 kg)

Optional Items

- Lift platform
- Undercoating
- Rustproofing
- Full heat for winter operation
- Diesel chassis
- Morse control
- Overseas spray
- Governor
- Rotating beacon
- Heavy-duty bumper/grill guard
- Hourmeter

Dealer/Distributor

NMC-WOLLARD

2021 Truax Blvd, Eau Claire, WI 54703

Phone: 800-656-6867

Phone: 715-835-3151

Fax: 715-835-6625

Email: bsteingart@nmc-wollard.com

Website: www.nmc-wollard.com

4/08