

NMC-WOLLARD® Model 40 Tow Tractor

Economical multipurpose tow tractor has electric AC or diesel power — 4,000 lbs. drawbar pull

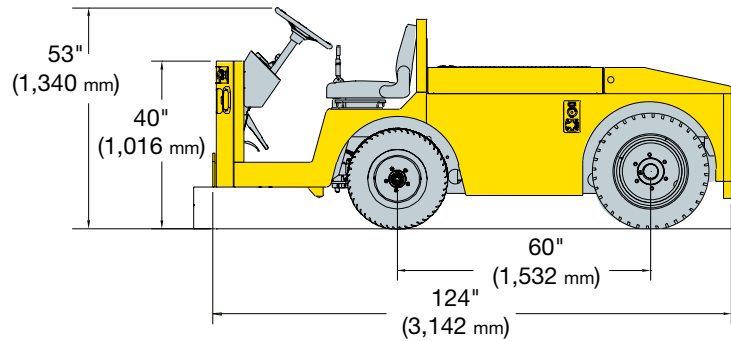
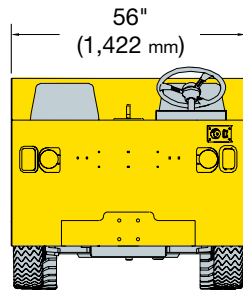


- Economical electric power—zero emission, 88.8V lithium polymer technology offers cost-saving performance — rated at 60 hp and 350 ft. lbs. peak torque
- 59 hp diesel power option has similar performance ratings
- Ideal tow tractor for baggage, light cargo and small to medium aircraft — has 4,000 lbs. DBP and torque multiplying planetary drive axle
- Maneuverable — 60-in. wheelbase provides maneuverability on congested and busy tarmacs/ramps
- Easy to operate. Model 40 rear deck design features a sight channel to facilitate coupler alignment. Forward cab also gives visual access to front coupler



MODEL 40 TOW TRACTOR/ UTILITY VEHICLE

A “e” or “D” within a specification line indicates that line applies to Electric or Diesel respectively



M40 “e” & “D” Tow Tractor

Specifications: subject to change without notice

Dimensions:

- Length, excluding hitch.... 124" (3,142 mm)
- Width.....56" (1,422 mm)
- Height to top of steering wheel.....53" (1,340 mm)
- Height to top of cab (optional).....76" (1,930 mm)
- Wheelbase.....60" (1,532 mm)
- Ground clearance.....5.9" (149.9 mm)
- Turning radius (outside).....135"
- Track width (centerline) Front.....43.3"
- Track width (centerline) Rear.....42.1"
- Tire size (front)....175R13, 8 ply pneumatic
- Tire size (rear)...28x9-15, 12 ply pneumatic

Weights and performance:

- GVW.....6,600 lbs
- Front weight.....1,600 lbs
- Rear weight.....5,000 lbs
- Battery weight (per module)-e.....153 lbs
- Towing weight.....55,000 lbs
- Maximum drawbar pull.....4,000 lbs
- Gradeability.....26 %
- Maximum governed speed-e.....15.2 mph
- Maximum governed speed-D.....19.2 mph

Drive system, Electric:

- Battery type.....Lithium polymer
- Voltage.....88.8 V
- Capacity (per module).....75 AH
- Power (peak).....60 HP
- Power (continuous).....30HP
- Torque (peak).....350 ft-lbs.
- Motor controller.....Curtis
- Motor.....AC induction
- Rear drive axle.....planetary with 19.7:1 reduction

Drive system, Diesel:

- Engine make....Kubota V2403-M-T (Tier 4i)
- Power rating.....59.0 HP (Gross)
- Throttle.....Cable controlled
- Rear drive axle..... planetary with 15.6:1 reduction

Brake system:

- ServiceHydraulic
- Front.....Disc
- Rear.....Wet disc
- Park.....Drum
- Proportional electronic regenerative-e

Steering system:

- Manual, 6 turns lock-to-lock
- Steer axle (front).....Brierton
- Steering column.....Fixed position

Suspension:

- Rear.....Leaf spring
- Front.....Leaf spring

Chassis:

- Frame.....Steel plate
- Assembly.....Welded

Instrumentation, Electric:

- Electronic display (weatherproof) sensor communication system
- CAN bus J1949 protocol
- Battery life.....Integral to display
- Diagnostic faults.....Integral to display
- Hour meter.....LCD gauge
- Hand brake engaged.....LED panel light
- Battery charger status.....LED panel light
- Low brake pressure.....LED panel light

Instrumentation, Diesel:

- Hour meter.....Gauge
- Alternator.....Indicator light
- Low engine oil pressure..... Indicator light
- Engine temperature.....Indicator light
- Hydraulic/transmission temperature: Indicator light
- Hydraulic filter plugged..... Indicator light
- Hand brake engaged.....Indicator light
- Glow plug on.....Indicator light
- Low brake pressure.....Indicator light
- Shifter in park..... Indicator light
- High beam headlights..... Indicator light

Lighting package:

- Headlights-LED (e), incandescent (D)-low beam only-on when ignition is on
- Tail lights-LED (e), incandescent (D)-on when ignition is on
- Brake lights-LED (e), incandescent (D)
- Reverse/Work light-LED (e), incandescent (D)

Charge system-e

- Onboard SAE J1772 compliant 3kW charger. SAE J1772 compliant
- 120/240VC charge station

Safety features:

- Tractor drive automatically disabled while charging-e

- Adjustable drivers seat with seat belts
- Easy access to engine bay and battery-D
- Easy access to controller and battery-e
- Rear hitch visible from seat
- Back-up alarm
- E-stop switch at rear left side of tractor-e
- Horn with center of steering wheel actuator
- Drive disabled, inching enabled when operator leaves seat-e

Available options:

- Rear pintel hitch
- Rear E-hitch-mechanical
- Front E-hitch-mechanical
- Passenger seat with seat belts
- Bolt-on front & rear rubber bumpers
- Side mirrors
- Beacon
- Gauge cluster (Fuel, engine temp, engine psi, voltage)-D
- LED lighting package-D
- Turn signal lights-LED
- Inching switch at rear left side of tractor-e
- Second lithium polymer battery-e
- Third lithium polymer battery-e
- Upgrade to 6kW onboard SAE J1772 compliant charger-e
- Upgrade to comply with existing lead-acid fast chargers (PosiCharge and Minut-Charger)-e
- Right side drive
- Inching switch at rear right side of tractor-e
- Stop switch at rear right side of tractor-e
- Inching switches at both front corners of tractor-e
- Cab (detachable)
- Hydraulic assist steering with Orbitrol controlled hydraulic cylinder

NMC-WOLLARD®

2021 Truax Blvd, Eau Claire, WI 54703
 Phone: 800-656-6867
 Phone: 715-835-3151
 Fax: 715-835-6625
 Email: bsteingart@nmc-wollard.com
 Website: www.nmc-wollard.com