

# MODEL MB4

## NMC-WOLLARD Tow Tractor

**1,6000 lbs. DBP, 4WD + steering axles front and rear for traction and maneuverability**

- **DBP 16,000 lbs. minimum**
- **4-wheel drive for max traction**
- **4-wheel steer for maneuverability**
- **Coordinated and crab steer (see photos)**
- **Heavy duty drive train**



### Maximum traction

4-wheel drive means each wheel produces tractive effort — delivers more drawbar pull capacity than conventional single drive axle units. Ideal for ramp work in wet or cold weather conditions.

### Maneuverable

Coordinated steering enables tight turns, easy maneuvering on busy airport ramps. Crab steering (inset photo) allows operators to maneuver next to aircraft and other equipment with a

simple linear approach.

MB4 is the most maneuverable tow tractor in the NMC-WOLLARD fleet.

### Powerful, durable

Industrial type driveline includes a turbocharged Cummins diesel and a Funk 6-speed transmission — places engine operating range at usable ramp speeds. Drive axles have 45% limited slip differential for power transfer under slippery conditions.

MB4 has it all — power, maneuverability and durability in an affordable package.

**GSA: GS-07F-0558Y**

Photos may show optional equipment.

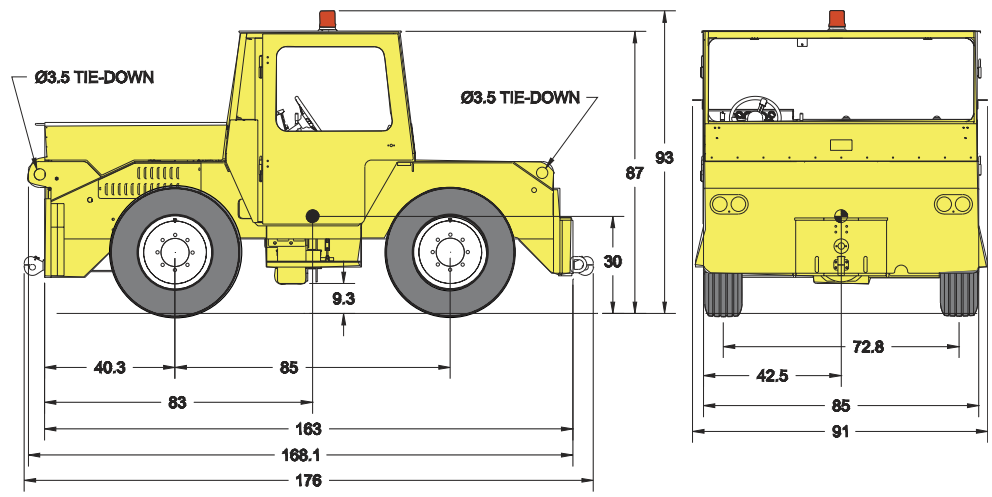


# NMC-WOLLARD Model MB4 Tow Tractor



## Capacities & Weights

Model No.	200MB4V2
Drawbar pull in lbs:	16,000
Drawbar pull in kg:	1,360



## General Specifications

### Vehicle type

- 4-wheel drive
- 4-wheel steer
- Gross weight: 19,200 lbs.
- Draw Bar Pull: 16,000 lbs. minimum
- Turn Radius 4-wheel: 150" wall to wall
- Speed, Front: 25 mph +/- 1.5
- Speed, Rear: 14 mph +/- 1.5
- Fuel Tank Capacity: 20.7 gal. (78.3L)
- Cooling System: Antifreeze & corrosion protection

### Transmission

- Model 2000 Funk Power Shift with Torque Converter
- 6 speeds forward, 3 speeds reverse

### Engine:

- Cummins QSB5.9 Turbo Charged, 6-cylinder diesel
- Displacement: 359 cu. in., (5.9L)
- Horsepower: 205 BHP (153 kW)
- Torque at 1,500 rpm: 625 lb.-ft. (847 N-m)

### Axle:

- Dana, type 2112
- Differential, limited slip 45%
- Hydraulic operated, oil immersed service brake
- Integrated steering system with steering sensor
- 8-bolt hub, studs M12

Specifications: based on standard drivetrain.  
Subject to change without notice

Dealer/Distributor

## NMC-WOLLARD

2021 Truax Blvd, Eau Claire, WI 54703  
 Phone: 800-656-6867  
 Phone: 715-835-3151  
 Fax: 715-835-6625  
 Email: bsteingart@nmc-wollard.com  
 clanggaard@nmc-wollard.com  
 Website: www.nmc-wollard.com